

Applications

Snow removal

Main features

Bob-Tach™ mounted

Self loading from a stockpile like a normal bucket.

An agitator is located in the hopper to facilitate the flow of caked material.

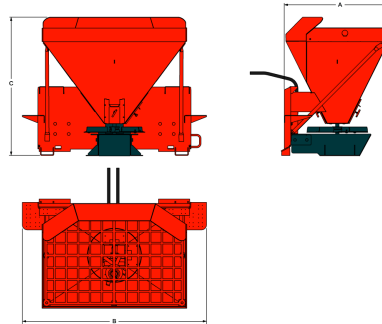
Can be adjusted to spread 180 degrees in front of the machine, up to 8.2 metres wide.

Compatibility

| Description | Item number | Compatible with loader |
|--------------------------|-------------|--|
| Salt & Sand Spreader HS8 | 7157284 | T190-E, T320-B, S150-E, S630-E, S185-E, T190-B, S250-B, S160-E, S175-E, T870-E, S850-E, S650-E, T650-E, S205-E, S770-E, T770-E, A770-E, S510-E, S530-E, S550-E, S550-B, S570-E, S590-E, T590-E |

Characteristics and performance

| Description | Item number | Hopper capacity struck (m3) | Hopper capacity heaped (m3) | Motor |
|--------------------------|-------------|-----------------------------|-----------------------------|-------|
| Salt & Sand Spreader HS8 | 7157284 | 0.272 | 0.33 | Hydr. |

Weights and dimensions


| Description | Item number | Operating weight (kg) | Shipping weight (kg) | Overall length (A) (mm) | Overall width (B) (mm) | Overall height (C) (mm) |
|--------------------------|-------------|-----------------------|----------------------|-------------------------|------------------------|-------------------------|
| Salt & Sand Spreader HS8 | 7157284 | 176.0 | 176.0 | 815.0 | 1382.0 | 1039.0 |