

# CARMIX 3.5 TT



**MIXING UNIT:** Drum capacity 4.850 liters. Concrete drum output: 3,5 m<sup>3</sup>/IN. EN 206-1 IN SLUMP S1 Class, yield not vibrated. Double mixing screws, cover for emergency unloading. Drum rotation by hydraulic motor and planetary reducers. Mixing and discharging speed independent from r.p.m. of diesel engine. Discharging by reversing drum. The mixing unit is slewing hydraulically through 270° for high discharge over 2 m on the four sides of the vehicle.



**ENGINE:** Perkins 1104 D-44 TA Turbo-Diesel, water-cooled, 4 cylinders. Rated power KW 83 (111 HP) set at 2.300 rpm. Engine mounted transversal on the rear.



**TRANSMISSION:** Hydrostatic Bosch Rexroth. Pump and motor are connected to the differentials through a 2 speed reducer (working and transfer). 4 wheel drive and steering.



**AXLES:** Dana Spicer with oil bath disc brakes and planetary reducers.



**SPEED:** Working speed from 0 to 9 km/h, road transfer from 0 to 25 km/h. Electric servo control.



**CABIN:** Front cab on side of loading shovel. ROPS-FOPS type complete with double closing door. Clima, air conditioning heater available upon request.



**HYDRAULIC SYSTEM:** Three circuits. 2 variable outlet pumps for hydrostatic transmission and drum rotation. 2 gear pumps for services. Inlet and outlet filter. Heat exchanger water/oil-air type.



**JOYMIX:** All hydraulic functions of shovel controlled by a single fully servo controlled Joystick.



**WEIGHING:** Electronic system. "Load cells" acting on the drum, display and printer in the cab. (on request)



**LOADING SHOVEL:** Effective capacity per load 600 liters, complete with hydraulic opening gate.



**CHUTE:** Slewing and hydraulically tilting. Fitted with two pins easily detachable to increase the discharge height.



**WATER SYSTEM:** Self-contained. Hydraulic driven water pump, water meter, washing outlet. High pressure water pump (on request).



**GRADIENT:** Fully loaded 30%.



**BRAKES:** Oil bath disc brakes inside differential axles. Twin independent circuits. Negative hydraulic parking brake.



**TYRES:** Off road industrial type 16/70-20 PR 14.



**STEERING:** Hydrostatic. 3 ways steering. Radius: internal: mm. 1700, external mm 3.700.



**ELECTRIC SYSTEM:** 12 Volt. 120 Ah battery for electric starter and road lighting. Safety battery cut-off.



**TANKS:** Water: 2x400 liters. Diesel: 115 liters. Hydraulic oil: 80 liters.



**CHASSIS:** Steel profile specially engineered for off-road operations.



**WEIGHT:** About Kg. 7.400. Equally distributed on both axles.

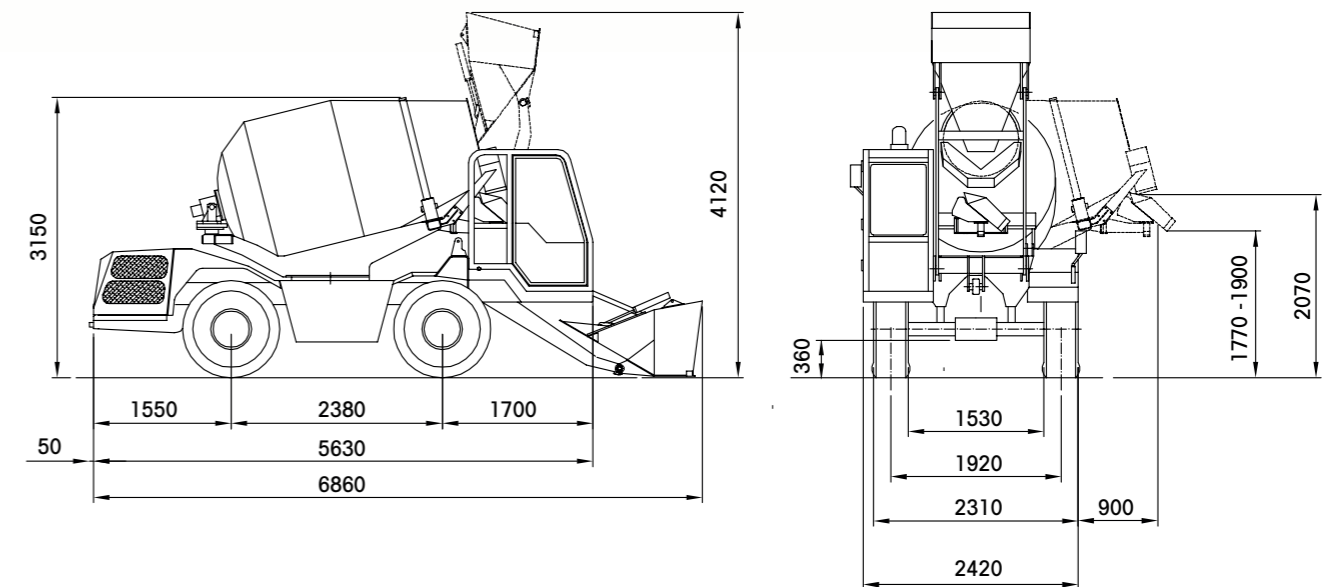


**SAFETY:** Machine equipped with checking and block valves for maximum safety of the operator. Self control avoids drum to slew if shovel's arm is lifted.



**CATALOGUE:** The machine is equipped with Use and Maintenance and Spare Parts Manuals according to CE regulations.

**CARMIX**  
4x4 mixers & dumpers



**METALGALANTE** s.p.a.

follow us on:



#BeACarmixMan

[carmix.com](http://carmix.com)