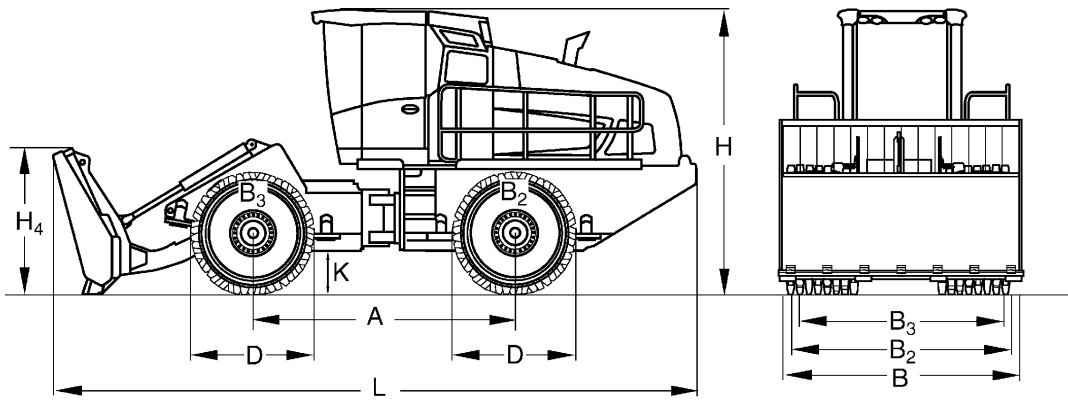


# TECHNICAL DATA

REFUSE COMPACTOR

BC 463 RB-3, BC 473 RB-3, BC 573 RB-3





**Dimensions in mm**

	<b>A</b>	<b>B</b>	<b>B2</b>	<b>B3</b>	<b>D</b>	<b>H</b>	<b>H4</b>	<b>K</b>	<b>L</b>
<b>BC 463 RB-3</b>	3500	3200	3110	2885	1660	3820	1950	600	8610
<b>BC 473 RB-3</b>	3500	3600	3560	3335	1660	3820	1950	600	8610
<b>BC 573 RB-3</b>	3500	3600	3560	3335	1660	3820	1950	600	8610

**Shipping dimensions in m3**

<b>BC 463 RB-3</b>	105,249
<b>BC 473 RB-3</b>	118,405
<b>BC 573 RB-3</b>	118,405

**Technical Data****BOMAG  
BC 463 RB-3****BOMAG  
BC 473 RB-3****BOMAG  
BC 573 RB-3****Weights**

Grossweight .....	kg	24.800	26.500	28.800
Operating weight CECE .....	kg	24.300	25.700	28.000
Axle load, front CECE .....	kg	11.800	12.750	13.900
Axle load, rear CECE .....	kg	12.500	12.950	14.200

**Driving Characteristics**

Speed (1), forward .....	km/h	0- 4,5	0- 4,5	0- 4,5
Speed (1), reverse .....	km/h	0- 4,5	0- 4,5	0- 4,5
Speed (2), forward .....	km/h	0- 12,0	0- 12,0	0- 12,0
Speed (2), reverse .....	km/h	0- 12,0	0- 12,0	0- 12,0
Max. gradeability (dep. on soil con.) .	%	100	100	100
Max. pushing force .....	kN	264	281	309

**Drive**

Engine manufacturer .....		Deutz	Deutz	Deutz
Type .....		TCD 2013 L06 4V	TCD 2013 L06 4V	TCD 2013 L06 4V
Emission stage .....		Stage IIIa / TIER3	Stage IIIa / TIER3	Stage IIIa / TIER3
Cooling .....		Liquid	Liquid	Liquid
Number of cylinders .....		6	6	6
Performance ISO 9249 .....	kW	227,0	227,0	227,0
Performance SAE J 1349 .....	hp	304,0	304,0	304,0
Speed .....	min-1	2.200	2.200	2.200
Travel system .....		hydrost.	hydrost.	hydrost.
Operating voltage .....	V	24	24	24

**Compaction Wheels**

Width, front .....	mm	900	1.125	1.125
Width, rear .....	mm	900	1.125	1.125
Outer diameter (front) .....	mm	1.660	1.660	1.660
Outer diameter (rear) .....	mm	1.660	1.660	1.660
Number of teeth/cutters, front .....		40	50	50
Number of teeth/cutters, rear .....		40	50	50
Compaction coverage per side .....	mm	1.013	1.238	1.238

**Brakes**

Service brake .....		hydrost.	hydrost.	hydrost.
Parking brake .....		hydromec.	hydromec.	hydromec.

**Steering**

Steering system .....		oscil.artic.	oscil.artic.	oscil.artic.
Steering method .....		hydraulic	hydraulic	hydraulic
Steering angle +/- .....	grad	35	35	35
Oscillating angle +/- .....	grad	15	15	15
Track radius, inner .....	mm	4.116	3.891	3.891

**Dozer Blade**

Height adjustment over ground level .	mm	1.200	1.200	1.200
Height adjustment below ground level	mm	120	120	120
Dozer blade capacity acc. to SAE J 1265	m3	9,5	11,0	11,0

**Capacities**

Fuel .....	l	375,0	375,0	375,0
Hydraulic oil .....	l	260,0	260,0	260,0

Technical modifications reserved. Machines may be shown with options.

## Standard Equipment

## Optional Equipment

- Polygonal compaction wheels, teeth with replaceable caps
- Blade 3600mm (3.200mm-BC463RB-3)
- Premium compaction wheels with highly wear resistant teeth
- Central lubrication system
- CD-Radio
- Pre start cabin heating
- Rotary beacon
- Fire extinguisher
- Special painting
- Electrical anti-theft system with numerical code
- Protective ventilation system (Pre-installation)
- Tool kit
- Protective grille for cabin
- Climatronic
- Semi-U-Blade 3590mm
- Tachograph
- LED Working head lights
- TELEMATIC POWER

