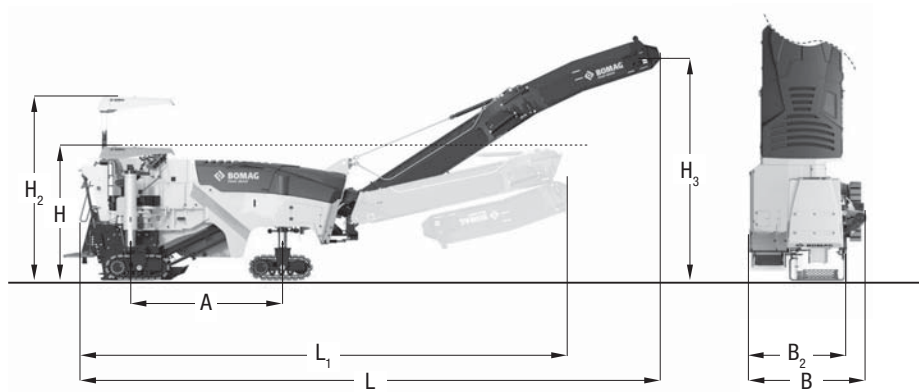


TECHNICAL DATA

COLD PLANER (TIER 4)

BM 1000/35, BM 1200/35, BM 1300/35





Dimensions in in

| | A | B | B₂ | H | H₂ | H₃ | L | L₁ |
|-------------------|----------|----------|----------------------|----------|----------------------|----------------------|----------|----------------------|
| BM 1000/35 | 132.8 | 100 | 80.9 | 118.1 | 161.4 | 224.4 | 538.7 | 432.4 |
| BM 1200/35 | 132.8 | 100 | 80.9 | 118.1 | 161.4 | 224.4 | 538.7 | 432.4 |
| BM 1300/35 | 132.8 | 100 | 80.9 | 118.1 | 161.4 | 224.4 | 538.7 | 432.4 |

Technical Data

Milling Drum

| | | | |
|--|--------------------------|--------------------------|--------------------------|
| Milling width max. in | 39.4 | 47.2 | 51.2 |
| Milling depth in | 0 – 13 | 0 – 13 | 0 – 13 |
| Milling line space in | 0.6 | 0.6 | 0.6 |
| Cutting diameter in | 38.6 | 38.6 | 38.6 |
| No. of Tools | 99 | 115 | 121 |
| Milling Drum Speed min ⁻¹ | variable, 85, 95, 107 | variable, 85, 95, 107 | variable, 85, 95, 107 |

Drive

| | | | |
|---|----------------|----------------|----------------|
| Engine Manufacturer | MTU (Mercedes) | MTU (Mercedes) | MTU (Mercedes) |
| Type | Serie 1000 6R | Serie 1000 6R | Serie 1000 6R |
| Emission standards | 4/4 final | 4/4 final | 4/4 final |
| Cooling | Liquid cooled | Liquid cooled | Liquid cooled |
| No. of cylinders / Displacement in ³ | 6 / 470 | 6 / 470 | 6 / 470 |
| Power kW / hp | 260 / 350 | 260 / 350 | 260 / 350 |
| Engine Speed U/min | 2,200 | 2,200 | 2,200 |
| Peak Torque Nm | 1,400 | 1,400 | 1,400 |
| Consumption at rated Power g/kWh | 210 | 210 | 210 |
| Consumption at Job-mix gal/h | 6.9 | 6.9 | 6.9 |
| Generator V / A | 28 / 150 | 28 / 150 | 28 / 150 |
| Battery V / Ah | 2 x 12 / 155 | 2 x 12 / 155 | 2 x 12 / 155 |

Driving Characteristics

| | | | |
|---------------------------------|--------------------|--------------------|--------------------|
| Transport-speed mph | 0 – 4.7 | 0 – 4.7 | 0 – 4.7 |
| Operating-speed mph | 0 – 1.9 | 0 – 1.9 | 0 – 1.9 |
| Crawler size L x W x H in | 56.1 x 10.6 x 22.4 | 56.1 x 10.6 x 22.4 | 56.1 x 10.6 x 22.4 |

Capacities

| | | | |
|---------------------|-------|-------|-------|
| Fuel gal | 158.5 | 158.5 | 158.5 |
| Water gal | 383 | 383 | 383 |
| Hydraulic gal | 39.6 | 39.6 | 39.6 |

Loading-system

| | | | |
|---|---------------|---------------|---------------|
| Conveyor width, inside / outside in | 171.7 / 158.5 | 171.7 / 158.5 | 171.7 / 158.5 |
| Theoretical capacity yd ³ /h | 235.4 | 235.4 | 235.4 |
| Discharge height in | 224.4 | 224.4 | 224.4 |

Weights

| | | | |
|---|------|------|------|
| Max. Operating weight (incl. Options) t | 25.5 | 26.5 | 26.7 |
| Operating weight CE t | 22.6 | 23.6 | 23.8 |
| Basic weight t | 21.5 | 22.5 | 22.7 |

Additional weights for Options

| | | | |
|---|---------|---------|---------|
| Weather protection roof lb | 396.8 | 396.8 | 396.8 |
| Dust reduction lb | 308.6 | 308.6 | 308.6 |
| Splitted Scraper lb | 440.9 | 440.9 | 440.9 |
| Quick Drum exchange system lb | 220.5 | 220.5 | 220.5 |
| Fine-milling-drum LA8 lb | 661.4 | 661.4 | 661.4 |
| Ballast 1, frame lb | 1,102.3 | 1,102.3 | 1,102.3 |
| Ballast 2, milling compartment lb | 881.8 | 881.8 | 881.8 |

Technical modifications reserved. Machines may be shown with options.

Standard

Milling technology

- Milling Drum LA15
- BOMAG BMS 15 exchangeable toolholder
- 3 Milling-Drum-speeds
- Proportional adjustable water injection
- Automatic water saving device
- Water filling pump
- Wear-free, digital Milling depth display
- Proportional Milling depth adjustment
- Two proportional speeds for Milling-depth-adjustment
- Hydraulically operated side-plates
- Hydraulically operated front mouldboard
- Rear mouldboard with adjustable pre-load-pressure
- Right side-plate for fast Drum-exchange
- Automatic load-control
- Automatic distribution of traction
- Hydraulically foldable Conveyor

Drive Systems

- 4-Crawlers
- Rear right crawler steerable
- Variable transport speed
- Variable operating speed
- Mechanical Drum-drive

Operation comfort

- Fully vibration-isolated operator-platform
- Comfort-workstation for sitting operation
- Ergonomic adjustable operator seat, 45° to slew
- Ergonomic adjustable steering wheel / column
- Height- adjustable arm-rest with integrated ergonomic operation panel
- Self-explanatory, well-arranged dashboard
- Large storage at ground level
- Service- and maintenance-points ergonomic concentrated

Safety & environmental protection

- Whisper-package for noise elimination
- Liquid cooled engine following latest emission rules

- Variable placeable working-lights
- Rotary-beacon
- Mirror
- CE-conform safety-package with emergency-stop-switches
- Back-up-alarm
- Vandalism protection

Optional

Basic machine

- Weather protection roof
- High pressure cleaner
- Dust reduction system
- Auxiliary Drum Drive for easy tool exchange
- Road lights
- Additional working-light, plug in
- Additional working-light, magnet base
- Ballast weights
- Seat heating
- Special colour
- Biodegradable hydraulic oil
- Hydraulically portable conveyor, short
- Quick-exchange drum-system

Milling technology

- Milling-Drum 600 LA15
- Milling-Drum 900 LA15
- Milling-Drum 1000 LA15
- Milling-Drum 1200 LA15
- Milling-Drum 1300 LA15
- Fine-Milling-Drum 1000 LA8
- Fine-Milling-Drum 1200 LA8
- Fine-Milling-Drum 1300 LA8
- POWER DRUM 1000 LA22
- POWER DRUM 1200 LA22
- POWER DRUM 1300 LA22
- Splitted Scraper
- Additional Milling Drum Bearing

Levelling Systems and electronic support

- Levelling, 2 sides + slope
- Camera
- BOMAG TELEMATIC



PRUS 883 06 010

190916 Sa

BOMAG Americas, Inc.
125 Blue Granite Parkway
Ridgeway, SC 29130
USA
Tel. +1 803 3370700
Fax +1 803 3370800
www.bomag.com/us

