



**T870** | Compact Loaders



**POWER**  
meets  
**COMFORT**  
**BY BOBCAT**



## Machine Rating

Rated operating capacity	1508 kg
Tipping load	4306 kg
Pump capacity	90.1 L/min
Pump capacity (with high flow option)	141.6 L/min
System relief at Quick Couplers	23.8–24.5 MPa
Max. travel speed — low range	10.5 km/h
Max. travel speed — high range	18.3 km/h

## Engine

Make / Model	Kubota / V3800-DI-T-E3
Fuel / Cooling	Diesel / Liquid
Power	74 kW
Torque at 1600 RPM ( ISO9249 EEC)	325 Nm
Number of cylinders	4
Displacement	3800 cm <sup>3</sup>
Fuel tank capacity	134.8 L

## Weights

Operating weight	5751 kg
------------------	---------

## Controls

Vehicle steering	Direction and speed controlled by two joysticks
Loader hydraulics tilt and lift	Selectable Joystick Control (SJC)
Front auxiliary (standard)	Electrical switch on right-hand joystick

## Drive System

Transmission	Infinitely variable tandem hydrostatic piston pumps, driving two fully reversing hydrostatic motors
--------------	---

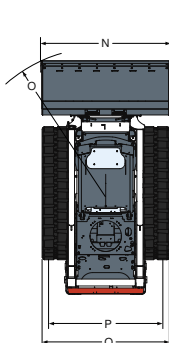
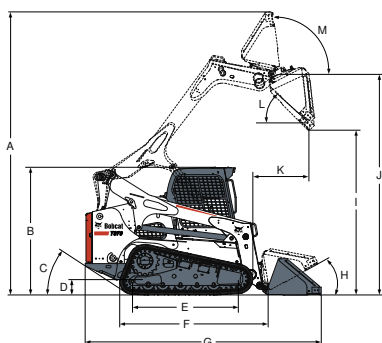
## Standard Features

Roller Suspension™	Work lights, front and rear
Selectable Joystick Controls (SJC)	Parking brake
Adjustable suspension seat	Seat belt
Automatically activated intake air heater	Seat bar
Bob-Tach™ frame	Turbo-charger with approved spark arrestor
Bobcat Interlock Control System (BICS)	Tracks — rubber — 450 mm — C-pattern
Deluxe operator cab	CE certification
Includes interior cab foam, side, top and rear windows, cab door with windshield wiper and sensor, cup holder, storage compartment and horn	
<b>Instrumentation</b>	
Lift arm support	
* Roll Over Protective Structure (ROPS) - meets requirements of SAE-J1040 and ISO 3471; Falling Object Protective Structure (FOPS) - meets requirements of SAE-J1043 and ISO 3449, Level I	

## Options

Two speed	Cab enclosure with heating
Heavy duty radio	High flow auxiliary hydraulics
Deluxe instrument panel	Air conditioning
Power Bob-Tach™	

## Dimensions



(A)	4689 mm	(J)	3657 mm
(B)	2118 mm	(K)	927 mm
(C)	33°	(L)	42°
(D)	218 mm	(M)	98°
(E)	1749 mm	(N)	2133 mm
(F)	3030 mm	(O)	2514 mm
(G)	3910 mm	(P)	1658 mm
(H)	30°	(Q)	2108 mm
(I)	2728 mm		

## Attachments

- Angle broom\*†
- Auger
- Bale forks
- Buckets
- Wood chipper\*
- Concrete pump\*
- Dozer blade\*
- Dumping hopper
- Flail cutter
- Forestry cutter
- Grader\*
- Hydraulic breaker\*\*
- Industrial grapple
- Mower
- Over-the-tyre tracks
- Pallet forks - standard
- Pallet forks - hydraulic
- Rear stabilizers
- Snow blower\*
- Sod layer\*
- Soil conditioner\*
- Spreader
- Stump grinder\*
- Super scraper
- Tree transplanter\*
- Trencher
- Utility frame
- Vibratory roller
- Water kit
- Wheel saw\*

\*Attachment control kit required.

\*\*When operating the loader with this attachment, a Special Applications Kit must be used.

†Optional water kit.



www.bobcat.eu